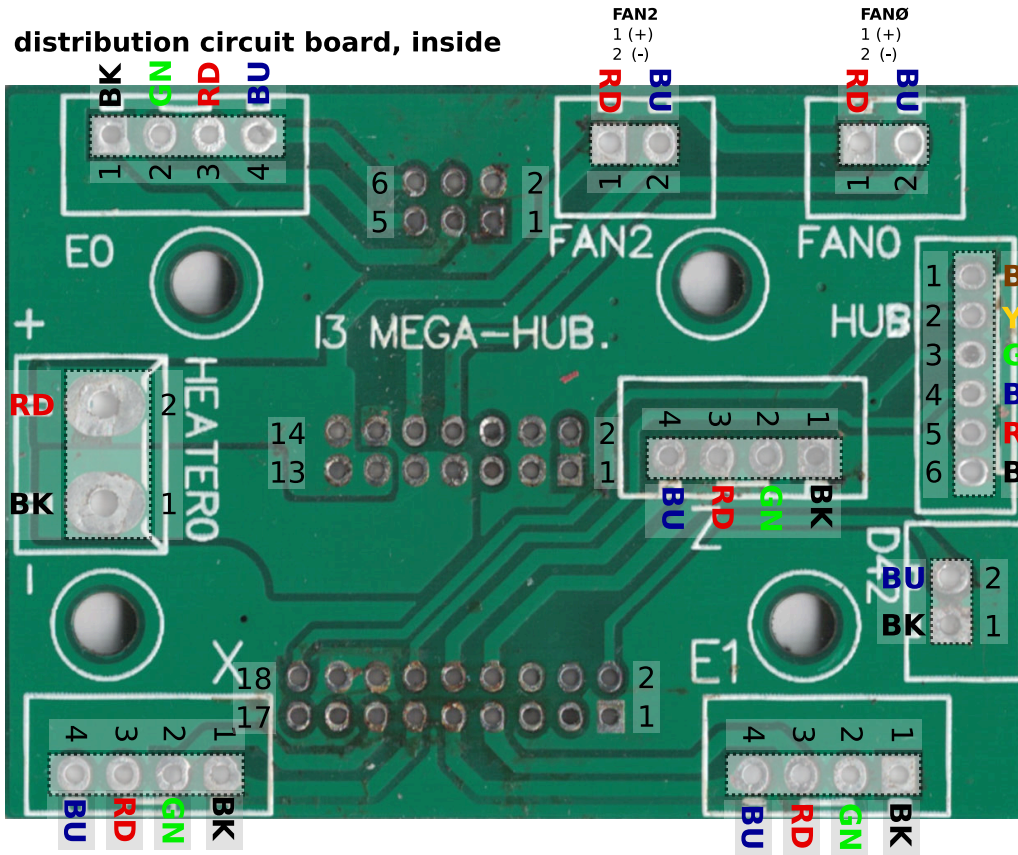


ANYCUBIC I3 MEGA
distribution and printhead circuit board
reverse engineering

Attribution: CC BY 2.0
Marc Nijdam (2019)

Scale:
1mm on drawing
equals 0.388mm in reality

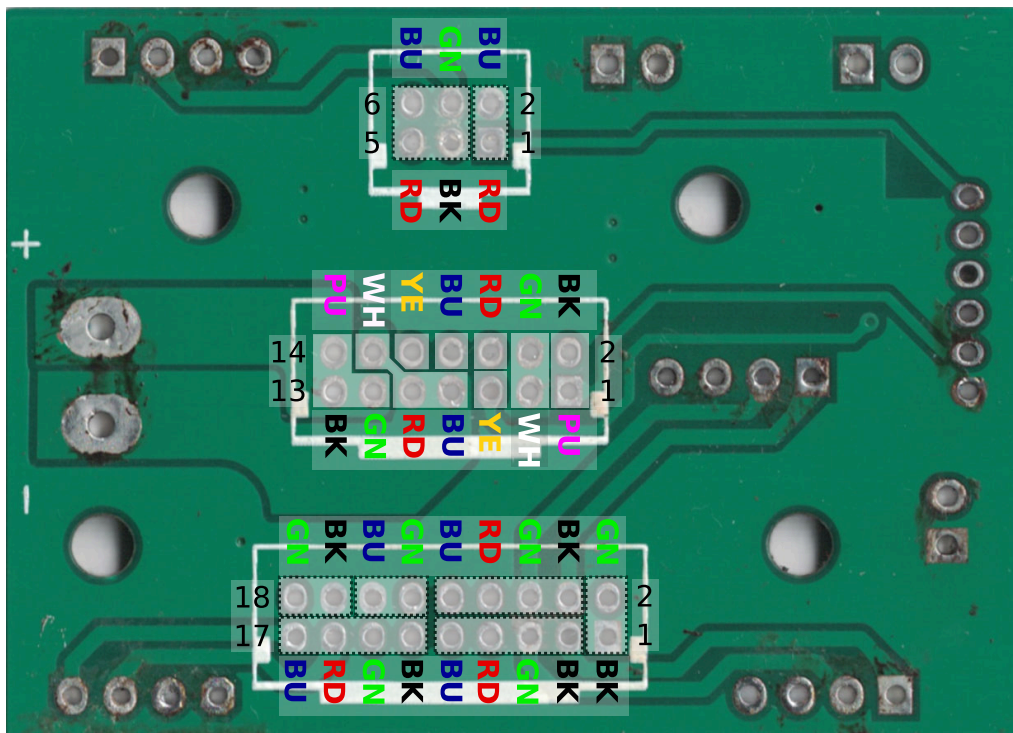
distribution circuit board, inside



- HUB**
1 filament endswitch
2 Z endswitch-R
3 BLTouch->D2
4 X endswitch
5 extruder thermistor
6 GND

- D42**
2 Z endswitch-L
1 GND reference

distribution circuit board, outside (REVERSED)



- FILAMENT ENDSWITCH**
1 filament endswitch signal
2 GND

- FILAMENT STEPPER**
3 E0_STEP-B
4 E0_STEP-B
5 E0_STEP-A
6 E0_STEP-A

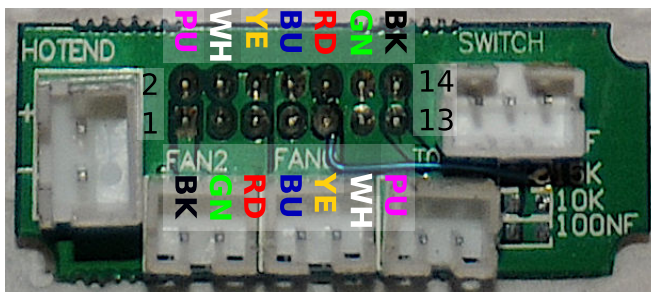
- TEMPERATURE SENSOR**
1+2 extruder thermistor
GND
3+4 GND reference
(NC)
5 BLTouch -> D2 trigorilla board
6 NC

- FAN**
8 (-) FANØ
10 (-) FAN2
HEATERØ
11,13,14 (+)
7, 9,12 (-)

- STEPPER**
11,13,15,17 X stepper (B̄,B,A,Ā)
3, 5, 7, 9 Z stepper-L (B̄,B,A,Ā)
4, 6, 8,10 Z stepper-R (B̄,B,A,Ā)

- ENDSWITCH**
18 Z endswitch-R signal
16 Z endswitch-R GND
14 X endswitch GND
12 X endswitch signal
1 Z endswitch-L GND
2 Z endswitch-L signal

printhead circuit board, bottom



Please note that the marking for pin 1 with the 14-pin connector differs between both ends.

- HEATERØ**
1,2,3 (+)
4,5,7 (-)
FAN
6 (-) FAN2
8 (-) FANØ
GND
11+12 GND reference
TEMPERATURE SENSOR
13+14 extruder thermistor
(NC)
9 BLTouch -> D2 trigorilla board
10 NC