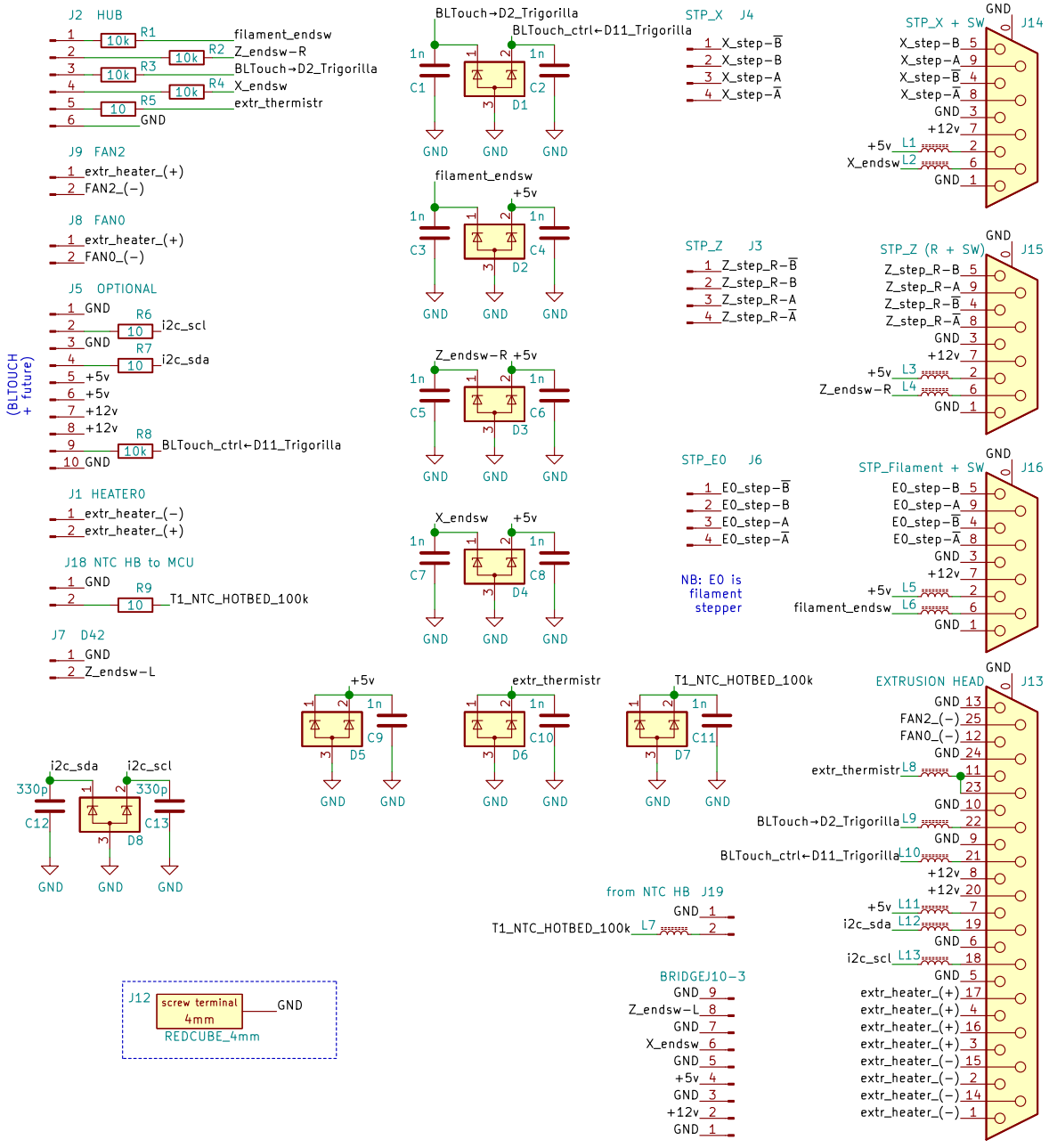
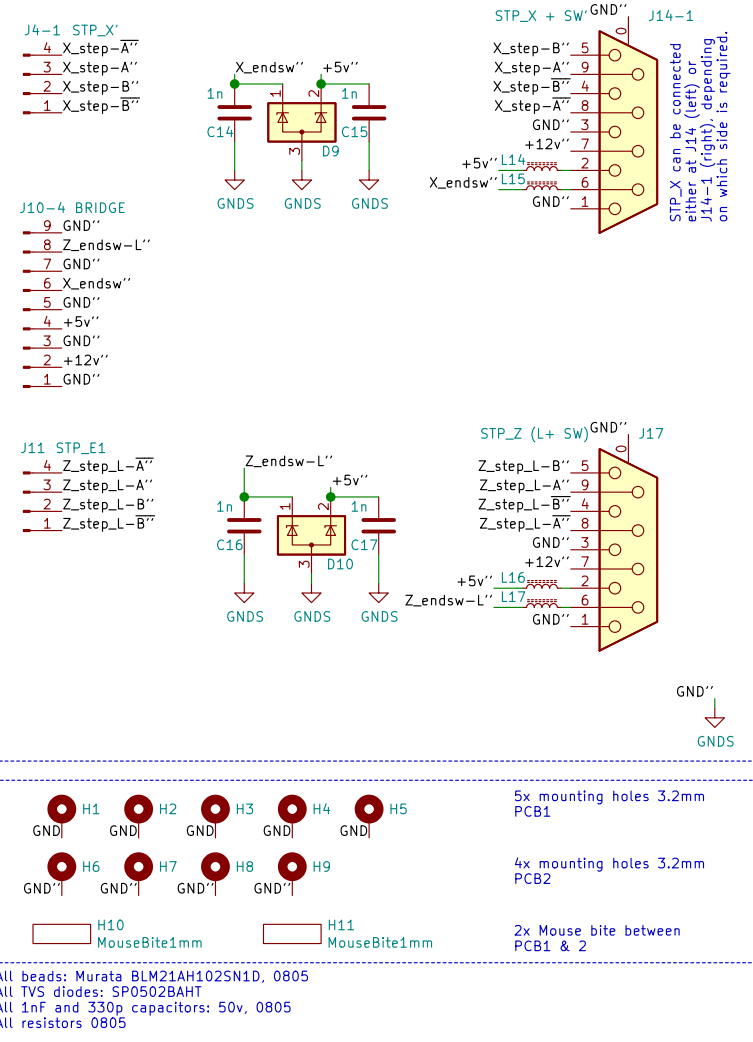


I3 MEGA-HUB-II, v4 PCB1



I3 MEGA-HUB-II, v4 PCB2



Changes:

- Corrected number of mounting holes
- swapped pins at D42
- corrected J21 name from STP_Filament into STP_X

www.auditeon.com

Sheet: /

File: I3_MEGA_HUB4.sch

Title: Anycubic I3 MEGA HUB extension

| | | |
|---|------------------|---------|
| Size: A4 | Date: 2020-02-24 | Rev: 0 |
| KiCad E.D.A. kicad 5.1.7-a382d34a887ubuntu16.04.1 | | Id: 1/1 |